

ALED52 USA



ALED Area Lights mount to 4" square steel poles at 15-20'. Available in regular, cutoff and full cutoff versions. 1 to 4 fixtures can be mounted to each pole. IES Full Cutoff, Fully Shielded optics. 5 year Warranty.

Color: Bronze

Weight: 16.4 lbs

Project:

Type:

Prepared By:

Date:

Driver Info

| | |
|--------------|------------------|
| Type: | Constant Current |
| 120V: | 0.51A |
| 208V: | 0.33A |
| 240V: | 0.29A |
| 277V: | 0.24A |
| Input Watts: | 59W |
| Efficiency: | 89% |

LED Info

| | |
|-----------------|---------|
| Watts: | 52W |
| Color Temp: | 5000K |
| Color Accuracy: | 73 CRI |
| L70 Lifespan: | 100000 |
| Lumens: | 7122 |
| Efficacy: | 121 LPW |

Technical Specifications

Listings

UL Listing:

Suitable for wet locations. Suitable for mounting within 4 feet of the ground.

DLC Listed:

This product is on the Design Lights Consortium (DLC) Qualified Products List and is eligible for rebates from DLC Member Utilities.
DLC Product Code: P0000173Y

IESNA LM-79 & IESNA LM-80 Testing:

RAB LED luminaires have been tested by an independent laboratory in accordance with IESNA LM-79 and 80, and have received the Department of Energy "Lighting Facts" label.

LED Characteristics

Lifespan:

100,000-hour LED lifespan based on IES LM-80 results and TM-21 calculations.

LEDs:

Two (2) multi-chip, high-output, long-life LEDs.

Color Consistency:

7-step MacAdam Ellipse binning to achieve consistent fixture-to-fixture color.

Color Stability:

LED color temperature is warranted to shift no more than 200K in CCT over a 5 year period.

Color Uniformity:

RAB's range of CCT (Correlated Color Temperature) follows the guidelines of the American National Standard for Specifications for the Chromaticity of Solid State Lighting (SSL) Products, ANSI C78.377-2017.

Construction

IES Classification:

The Type IV distribution (also known as a Forward Throw) is especially suited for mounting on the sides of buildings and walls, and for illuminating the perimeter of parking areas. It produces a semiCircular distribution with essentially the same candlepower at lateral angles from 90° to 270°.

Ambient Temperature:

Suitable for use in 40°C (104°F) ambient temperatures.

Cold Weather Starting:

Minimum starting temperature is -40°C (-40°F)

Housing:

Precision die cast aluminum housing, lens frame.

Arm:

Die-cast aluminum with wiring access plate.

Effective Projected Area:

EPA = 1.5

Reflector:

Specular vacuum-metallized polycarbonate

Gaskets:

High temperature silicone.

Finish:

Formulated for high-durability and long lasting color.

Green Technology:

Mercury and UV free. RoHS compliant components. Polyester powder coat finish formulated without the use of VOC or toxic heavy metals.

Electrical

Drivers:

Two drivers, constant current, 720mA, Class 2, 100 - 277V, 50 - 60 Hz, 100 - 277VAC .8 Amps.

THD:

6.5% at 120V, 7.8% at 277V

Power Factor:

99.3% at 120V, 97.2% at 277V

Surge Protection:

6kV

Other

California Title 24:

See ALED52/PCS for a 2013 California Title 24 compliant model.

Warranty:

RAB warrants that our LED products will be free from defects in materials and workmanship for a period of five (5) years from the date of delivery to the end user, including coverage of light output, color stability, driver performance and fixture finish.

Patents:

The ALED design is protected by patents pending in the U.S., Canada, China, Taiwan and Mexico.

Replacement:

Replaces 150W HID.

Technical Specifications (continued)

Other

FTC Country of Origin:

This product was assembled in the USA by RAB using imported components.

Buy American Act Compliance:

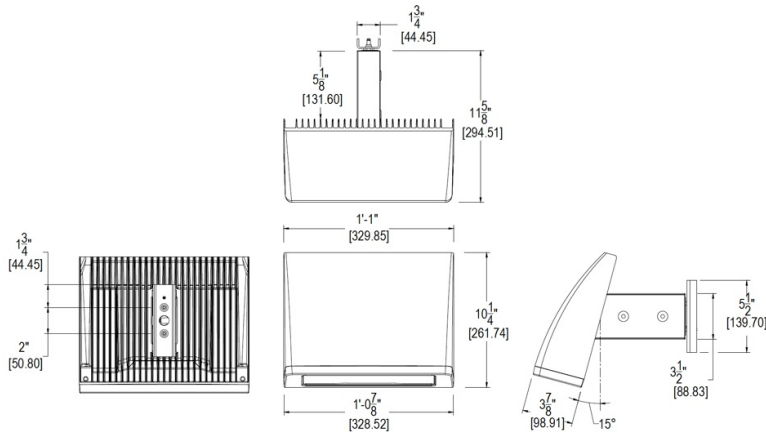
This product complies with the Buy American Act.

Optical

BUG Rating:

B0 U2 G3

Dimensions



Features

- High output LED light engine
- Maintains 70% of initial lumens at 100,000 hours
- Weatherproof high temperature silicone gaskets
- Superior heat sinking with die cast aluminum housing and external fins

Ordering Matrix

| Family | Cutoff | Wattage | Color Temp | Finish | Driver Options | Photocell Options |
|-------------|---|------------------------------------|--|---|---|---|
| ALED | | | | | | |
| | Blank = Standard (15°) C = Cutoff (7.5°) FC = Full Cutoff (0°) | 80 = 80W 52 = 52W | Blank = 5000K (Cool) N = 4000K (Neutral) Y = 3000K (Warm) | Blank = Bronze W = White | Blank = 120-277V /480 = 480V /BL = Bi-Level /D10 = 0-10V Dimming | Blank = No Option /PCS = 120V Swivel Photocell /PCS2 = 277V Swivel Photocell /PCS4 = 480V Swivel Photocell |